



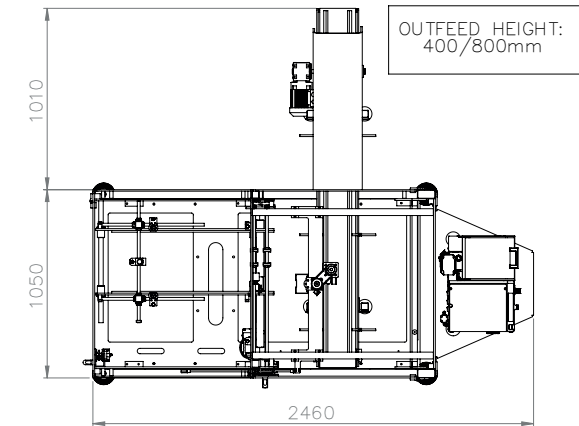
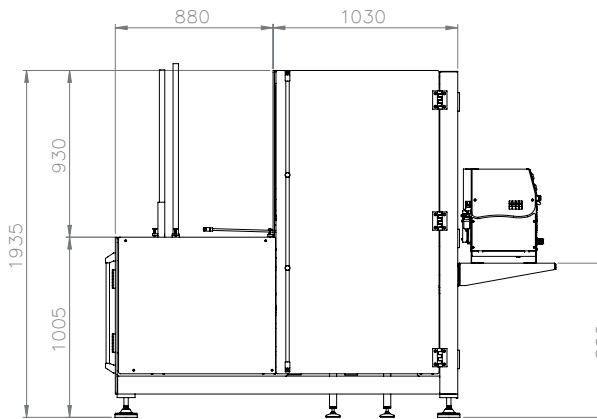
# TFS750 TRAY/CARTON ERECTOR

## TFS750 STANDARD TECHNICAL SPECIFICATIONS

- ◆ Speed: Up to 50 CPM
- ◆ Board size: 750mm x 750mm board blank
- ◆ Board Magazine Stack height: 1000mm
- ◆ Board loading height: 1020mm
- ◆ Tray Outfeed height: 400mm
- ◆ Sample Power Consumption: 11Kw, 32A/Ph, 400V, 3 Phase, N & E
- ◆ Air Supply: Up to 1.75 cfm @ 80 psi (5 bar)
- ◆ Net Weight: 500Kg
- ◆ Glue: Preo hot melt glue system
- ◆ Specific Components: Rockwell Controls, SMC Pneumatics
- ◆ Colour: RAL 7035 Grey

## BOARD SPECIFICATION

- ◆ Tray/Carton Styles: Low/High Walled, Shelf Ready, 90° and mitred corners and pizza
- ◆ Materials: Fibre board and fluted corrugate
- ◆ Fefco Styles: 0300, 0301, 0415 and 0420. Can be adapted to suit most 03 and 04 styles



## OPTIONS

- ◆ Vertical or horizontal card magazine
- ◆ Nordson or Meler hot melt glue system
- ◆ Crash lock system for hand erect trays
- ◆ Inline and right angle discharge
- ◆ Changepart or adjustable forming tools
- ◆ On demand multiple size tray forming
- ◆ Conveyors
- ◆ Automatic or robotic tray/carton loading and closing

