

Shrink wrappers

LS750 | Shrink wrapper

Standard technical specifications

Speed: Up to 30/min

Concept: Single size, with easy size change

Max film width: 700mm

Max product height: 300mm

Feed: Inline

Typical outfeed height: 900mm

Sample power consumption: 32Kw, 44.5A/Ph, 440V, 3 Phase, N&E

Sample air supply: Up to 0 cfm @ 80 psi (6 bar)

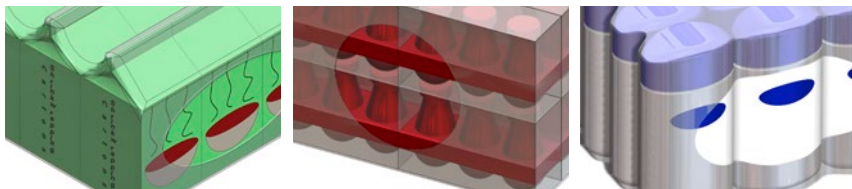
Typical net weight: 1500Kg

Specific components: Rockwell Controls, SMC Pneumatics

Colour: RAL 7035 grey

Product handling

Typical product styles: cartons, bags, bottles, aerosols and tubs to name but a few



Options

Box motion for increased throughput

Collators to suit unsupported products include, product dividers, scrolls, starwheels, tierers, gating systems, race tracks etc.

Stretch Wrap for reduced power consumption and sustainability

Tear Strip for easy opening of finished pack

Automatic film splice for continuous production flow

Easy lace Automatic film splice with retractable film carriages

Side seal units for fully enclosed packs

Pack cooler after shrink tunnel

Infeed and discharge conveyor systems of various mediums to suit product and floor space

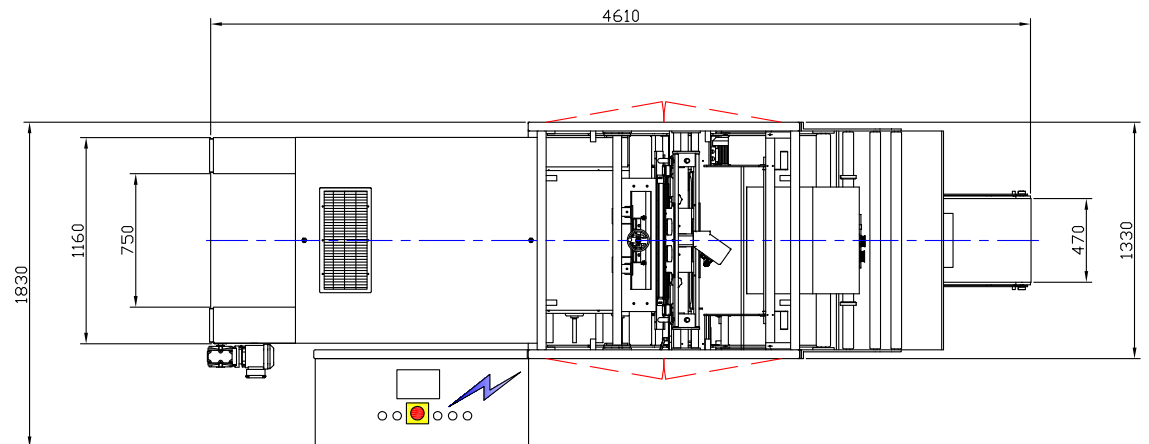
Stainless Steel construction

Dairy specification construction

Aerosol specification construction

Right angle feed

Inline feed.



For more information, contact: WestRock Automated Packaging Systems
Phone: +44.0.1502.713777 • E-mail: aps.uk@westrock.com • www.linkxpackaging.com