

Carton collators/loaders

CL120RTU | Carton uprighter collator

Standard technical specifications

Speed: Up to 300 CPM*

Concept: Multiple size

Infeed height: To suit

Outfeed height: 900mm nominal

Sample power consumption: 3.24Kw, 14.09A/Ph, 440V, 3 Phase, N&E

Net weight: 550Kg

Specific components: Rockwell Controls

Colour: RAL 7035 grey

*Speed dependant on product and product format

Pack type

Cartons

Options

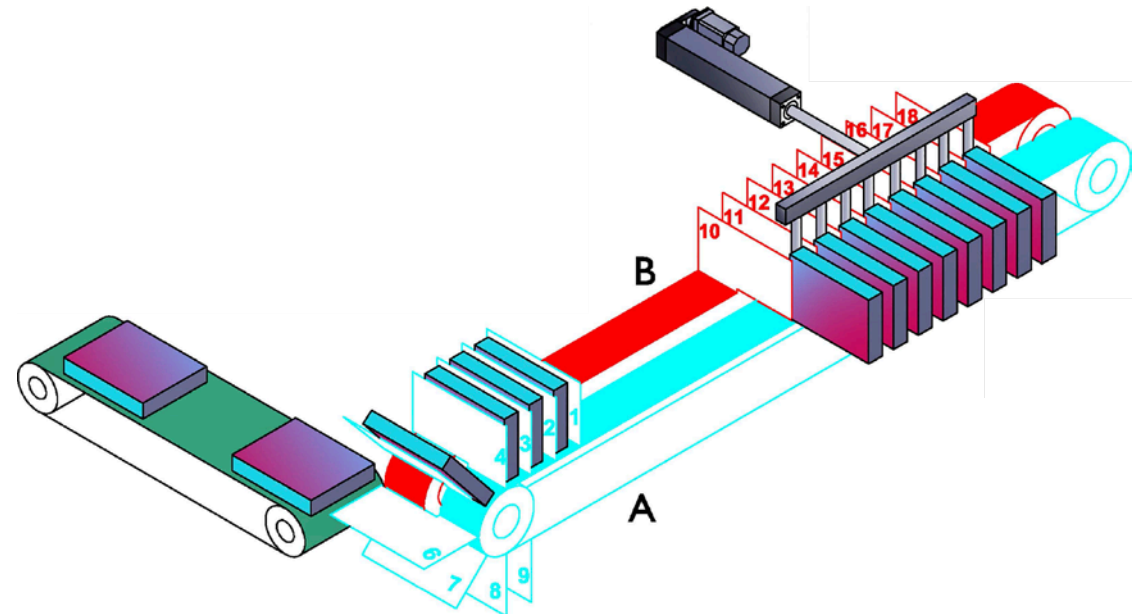
Inline and right angle discharge

On demand multiple size tray forming

Conveyors

Shrink wrapping

Automatic case/carton loading and closing



For more information, contact: WestRock Automated Packaging Systems
Phone: +44.0.1502.713777 • E-mail: aps.uk@westrock.com • www.linkxpackaging.com