



# CF-1000-G CASE/CARTON ERECTOR

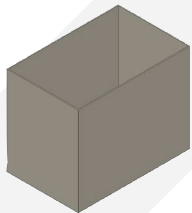
## CF-1000-G STANDARD TECHNICAL SPECIFICATIONS

- ◆ **Speed:** 10 to 30 CPM
- ◆ **Concept:** Single size, simple adjustment between sizes
- ◆ **Board Size:** Min L200 x W150 x OH150 | Max L500 x W325 x Open Height 520
- ◆ **Board Magazine Capacity:** with 3mm B-flute - 200 blanks (1340mm)
- ◆ **Board Magazine format:** Right angle feed 435mm to 540mm loading height
- ◆ **Outfeed Height:** 600mm +or- 30mm
- ◆ **Sample Power Consumption:** 4.4Kw, 16A/Ph, 400V, 3 Phase, N & E
- ◆ **Air Supply:** Up to 15 cfm @ 80 psi (6 bar)
- ◆ **Net Weight:** 600Kg
- ◆ **Bottom Closure:** Hot melt glue
- ◆ **Specific Components:** Rockwell or Siemens Controls
- ◆ **Colour:** RAL TBC

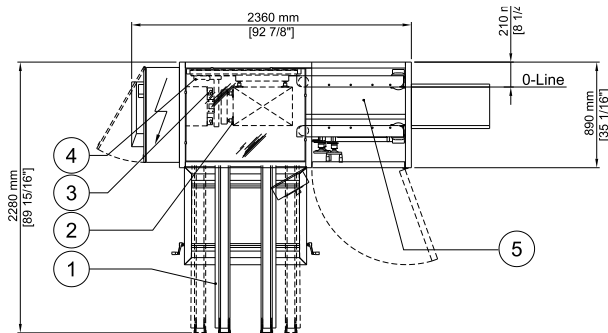
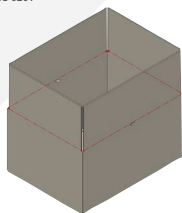
## BOARD SPECIFICATION

- ◆ **Case/Carton Styles:** Fefco 0200, 0201 or HSC/RSC
- ◆ **Materials:** B-flute, C-flute, E-flute or combination,

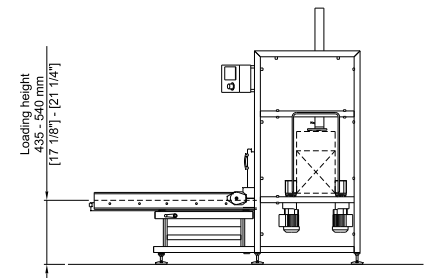
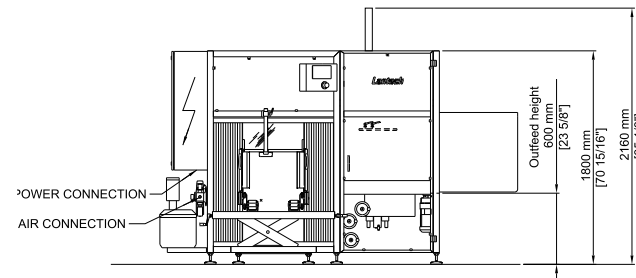
FEFCO 0200



FEFCO 0201



- 1-Magazine
- 2-Suction frame
- 3-Flapfolder
- 4-Pusher arm
- 5-Sealing Section



## OPTIONS

- ◆ Speed variants from 10 to 30 cases per minute
- ◆ Oversized and undersized case variants
- ◆ Fefco board style variants
- ◆ Extended board magazine