

# Case/carton closers

## CS-500-SF | Case/carton closer

### Standard technical specifications

**Speed:** Up to 30 CPM

**Closure:** Single flap or double flap, glue close top or side

**Concept:** Random Length, Single Flap Closer

**Case size:** Max W350mm x H350mm x L350mm

**Infeed height:** 900mm

**Outfeed height:** 900mm

**Sample power consumption:** 4.5Kw, 16A/Ph, 440V, 3 Phase, N&E

**Air supply:** Up to 2.8 litres/cycle @ 80 psi (6 bar)

**Net weight:** 550Kg

**Hot melt glue closure**

**Specific components:** Rockwell Controls

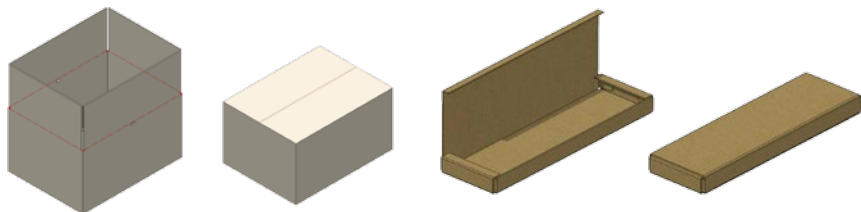
**Mainframe:** Powder coated mild steel

### Board specification

**Case/carton styles:** Photobox

**Materials:** B flute, C flute, E flute

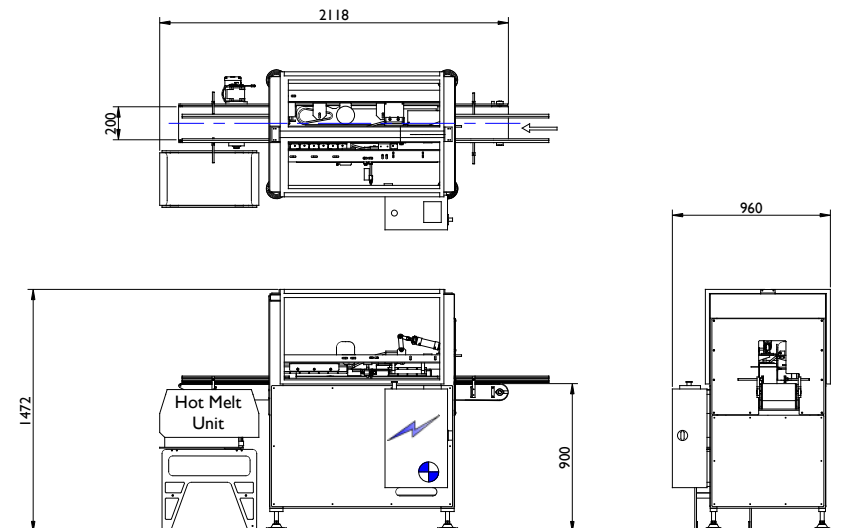
**Typical FEFCO styles:** 0420, 0415



### Options

FEFCO board style variants

Oversized and undersized case variants



For more information, contact: WestRock Automated Packaging Systems  
Phone: +44.0.1502.713777 • E-mail: [aps.uk@westrock.com](mailto:aps.uk@westrock.com) • [www.linkxpackaging.com](http://www.linkxpackaging.com)