



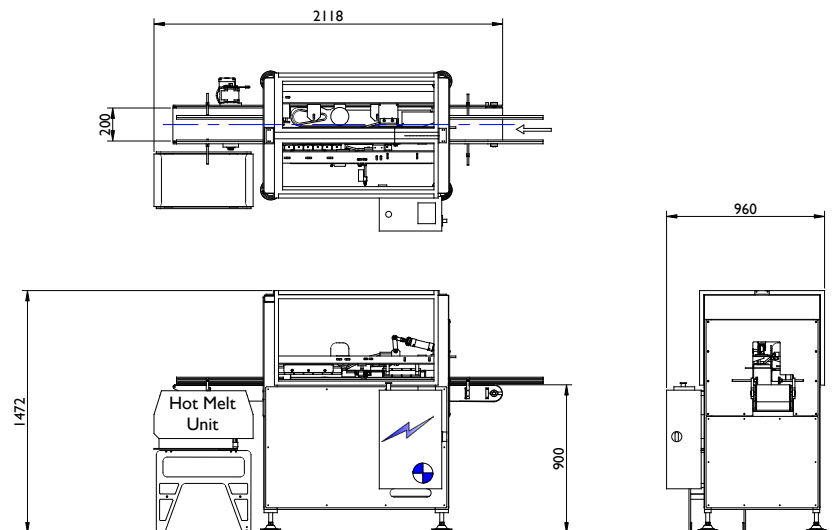
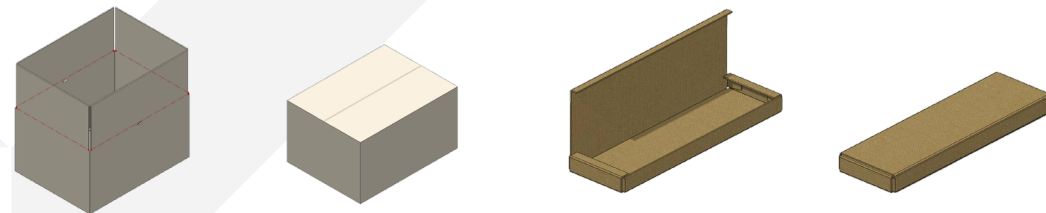
# CC500-SF CASE/CARTON CLOSER

## CC500-SF STANDARD TECHNICAL SPECIFICATIONS

- ◆ Speed: Up to 30 CPM
- ◆ Closure: Single flap or double flap Glue close top or side
- ◆ Concept: Random Length, Single Flap Closer
- ◆ Case Size: Max W350mm x H350mm x L350mm
- ◆ Infeed Height: 900mm
- ◆ Outfeed Height: 900mm
- ◆ Sample Power Consumption: 4.5Kw, 16A/Ph, 440V, 3 Phase, N & E
- ◆ Air Supply: Up to 2.8 litres/cycle @ 80 psi (6 bar)
- ◆ Net Weight: 550Kg
- ◆ Hot melt glue closure
- ◆ Specific Components: Rockwell Controls
- ◆ Mainframe mild steel powder coated

## BOARD SPECIFICATION

- ◆ Case/Carton Styles: Photobox
- ◆ Materials: B Flute, C Flute, E flute.
- ◆ Fefco Styles: 0420, 0415



## OPTIONS

- ◆ Fefco board style variants
- ◆ Oversized and undersized case variants