



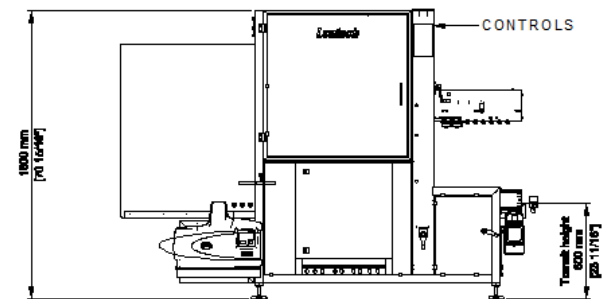
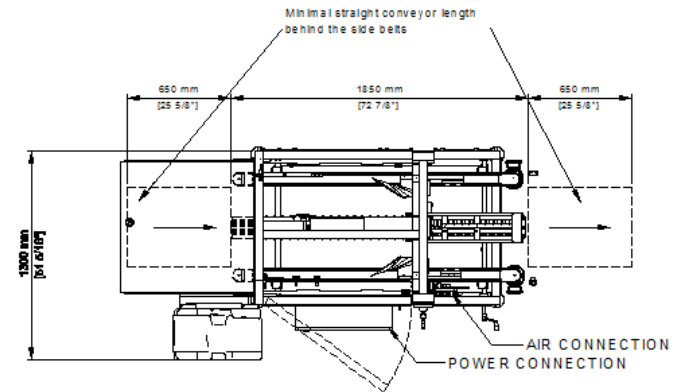
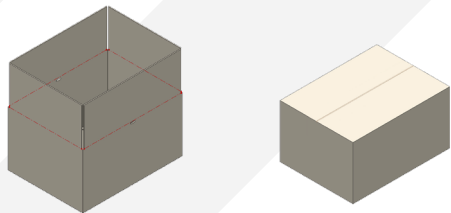
CS-1000-G CASE/CARTON CLOSER

CS-1000-G STANDARD TECHNICAL SPECIFICATIONS

- ◆ **Speed:** Up to 30 CPM
- ◆ **Closure:** Glue closure top only
- ◆ **Concept:** Size changeable
- ◆ **Case Size:** Min L200 x W150 x H120 | Max L650 x W510 x H500
- ◆ **Infeed Height:** 600mm + or - 30mm
- ◆ **Outfeed Height:** 600mm + or - 30mm
- ◆ **Sample Power Consumption:** 4.2Kw, 16A/Ph, 440V, 3 Phase, N & E
- ◆ **Air Supply:** Up to 2.3 cfm @ 80 psi (6 bar)
- ◆ **Net Weight:** 550Kg
- ◆ **Glue:** Robatech hot melt glue system
- ◆ **Mainframe:** Powder coated mild steel

BOARD SPECIFICATION

- ◆ **Case/Carton Styles:** Low/High Walled, Shelf Ready
- ◆ **Materials:** B Flute, C Flute, E flute.
- ◆ **Fefco Styles:** RSC, HSC, FEFCO 0201



OPTIONS

- ◆ Fefco board style variants
- ◆ Oversized and undersized case variants